



LAEVO LEGPAD V2.57

Instructions for use

August 2020: for USA and Canada

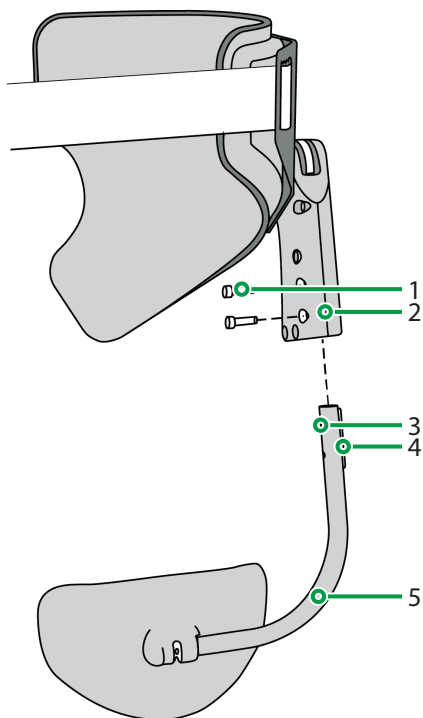
EN

Instructions for use

Content

1	Introduction	5
	1.1 Variants	5
	1.2 Explanation of warning symbols	5
2	Application	6
3	Disassembly	6
4	Assembly	6
5	Figures	7
6	Legal information	11
	6.1 Liability	11
	6.2 Warranty	11

Overview



1. Bolts
2. SmartJoint
3. Screw holes
4. Leg structure key
5. Legpad

1 Introduction

Thank you for choosing Laevo.

This document gives instructions for use, safety, fitting and maintenance of a part of the Laevo.

- ▶ Read carefully before use.
- ▶ Keep for future reference.
- ▶ Follow the safety instructions.
- ▶ Instruct the user in proper and safe use of the product.


If you have questions, call Laevo or your supplier. Laevo's contact information is on the last page.

1.1 Variants

All instructions are for LAEVO B | | XO 2.57 and USA/Canada only.

The illustrations are general examples; your product can be different from the illustrations.


1.2 Explanation of warning symbols

 **DANGER!** Indicates potential life-threatening or disabling injury.

 **WARNING!** Indicates potential serious injury.

 **CAUTION:** indicates potential minor injury.

 **NOTICE:** indicates potential product damage.

 **TIP:** Information and tips to make it even easier to use the Laevo.

Get more tips at www.laevo-exoskeletons.com

2 Application


These parts are meant only to be used in a complete LAEVO V2 exoskeleton:


1. Check if all parts are supplied (Figure 2.1)
2. Check the LAEVO revision number on the label on the inside of the SmartJoint. Use these Legpads only with the following serial numbers: V2.57xxxx (x can be any number).

3 Disassembly

1. Remove the two bolts with the supplied hex key (Figure 3.1).
2. Slide the Legpad out of the SmartJoint (Figure 3.2).

4 Assembly

 **CAUTION:** When noticing any slack between the Legpad and the SmartJoint, immediately stop using the product.

 **NOTICE:** Installation has to be done by a qualified person. Not comfortable with bolts or screws? Let someone else handle it.

1. Remove all packaging and tape from the Legpads and bolts.
2. Slide the left Legpad into the left SmartJoint (Figure 4.1).

3. Place the two bolts into the two holes (Figure 4.2).
4. Tighten the bolts with the supplied hex key. The bolt heads should touch the housing (Figure 4.2).
5. Repeat for the right Legpad.

5 Figures

Figure 2.1

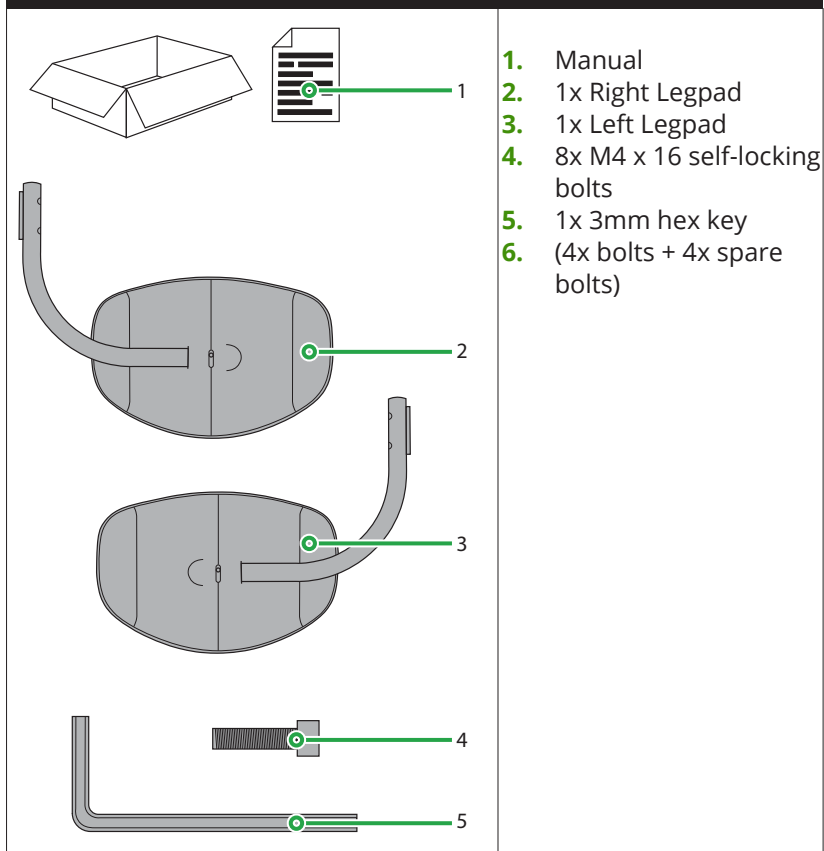
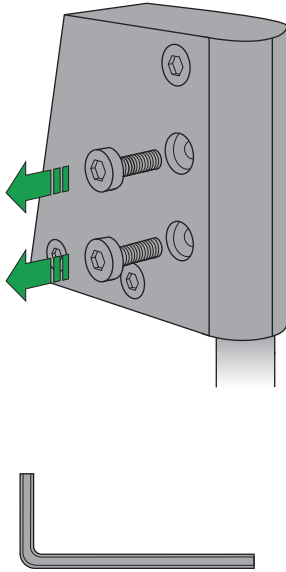


Figure 3.1



The bolts can be used up to 15 times.

Figure 3.2

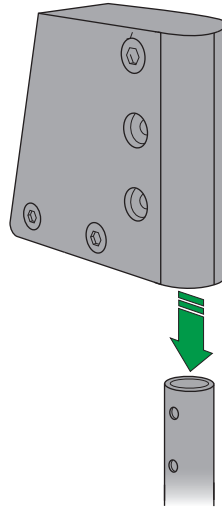
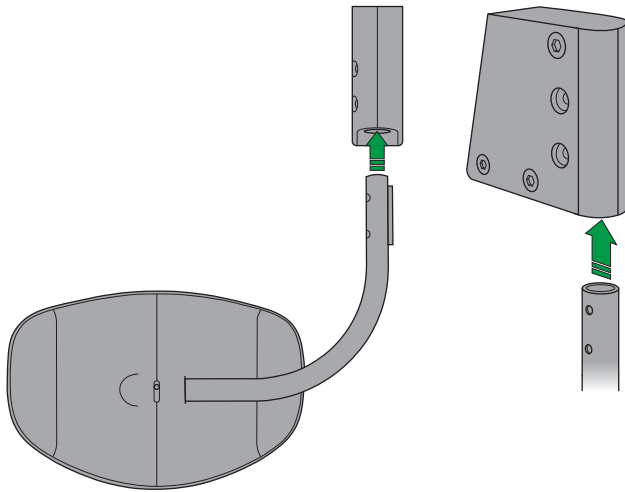
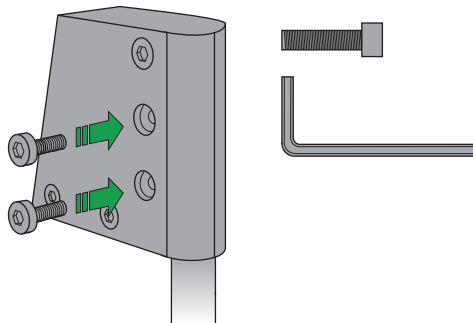


Figure 4.1



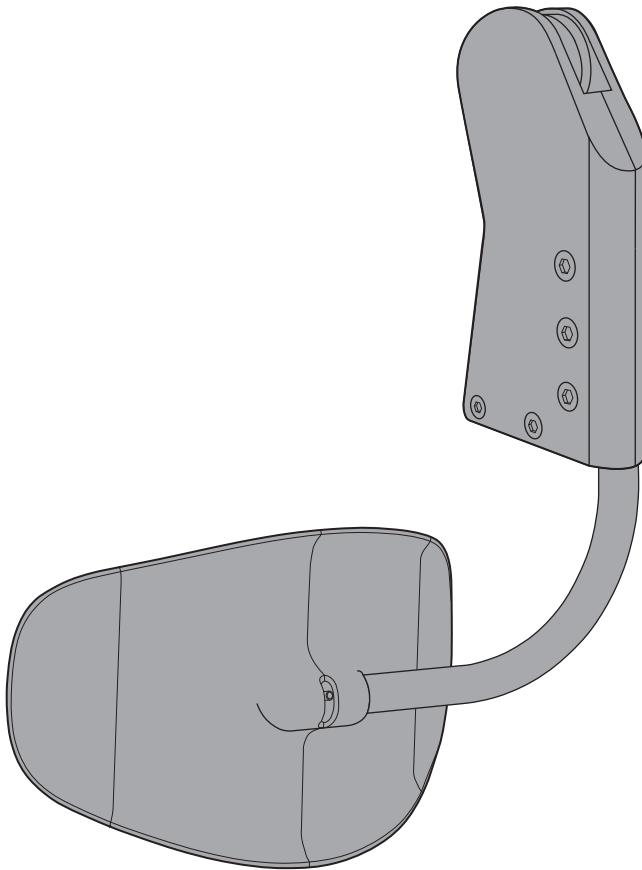
EN

Figure 4.2



2 NOTICE: Only use the supplied bolts.
Max. tightening torque is 0,15 Nm.

Figure 4.3



CAUTION: When noticing any slack between the Legpad and the SmartJoint, immediately stop using the product.

6 Legal information

6.1 Liability

Laevo B.V. cannot be held liable for:

- ▶ Personal injury or damage to property as a result of a user or third party not following the recommendations and warnings contained in this manual.
- ▶ Damage due to changes and/or alterations to the original product; wear and damage caused by the user due to improper use; damage due to use of non-original replacement parts.

6.2 Warranty

The Laevo Business Warranty covers the product. This can be found at www.laevo-exoskeletons/legal/. Contact Laevo or your supplier to obtain a printed version.

Contact

Manufacturer

laevo



Laevo B.V.

Patrijsweg 30

2289 EX Rijswijk, the Netherlands

www.laevo-exoskeletons.com

+31 15 30 20 025